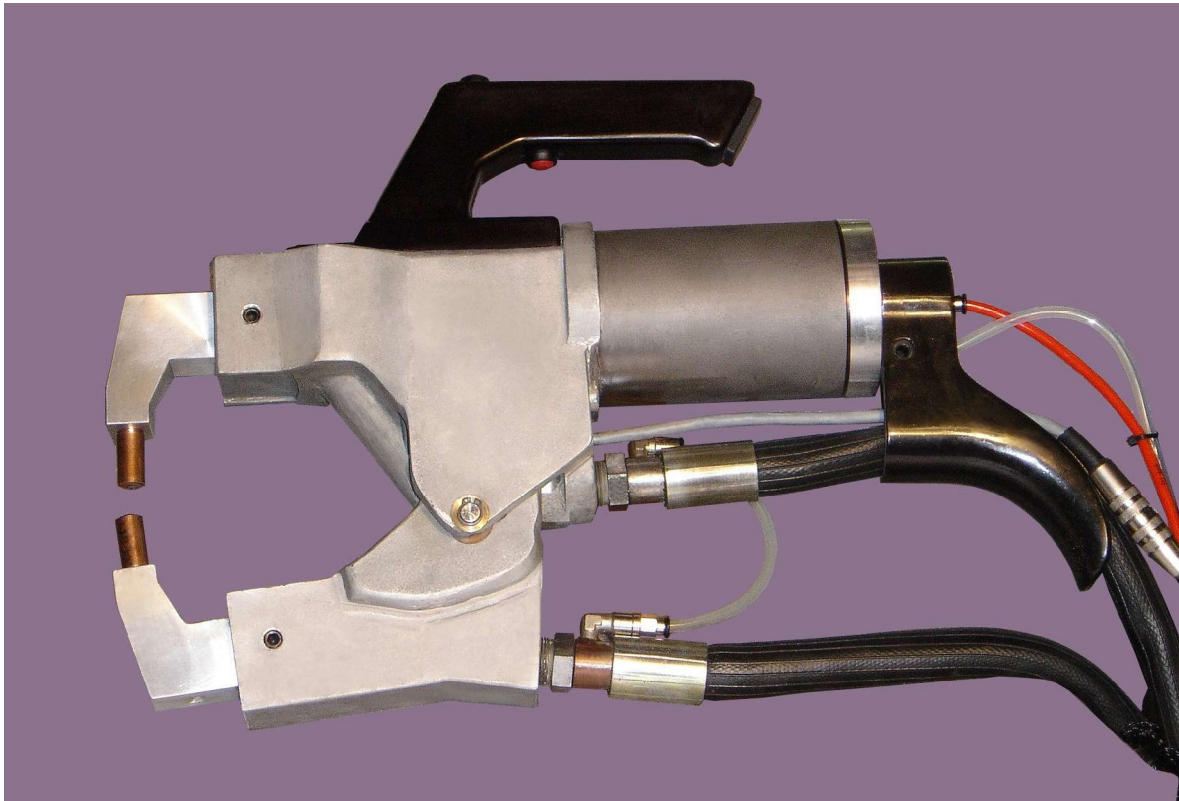


## XW-1000 Water Cooled Pneumatic Double Sided Gun

Damien's XW-1000 Pneumatic Double Sided Gun is a high performance X-Gun designed for intensive use. The water cooling and high pressure double cylinder allows to obtain welds quality identical to industrial robot Guns.

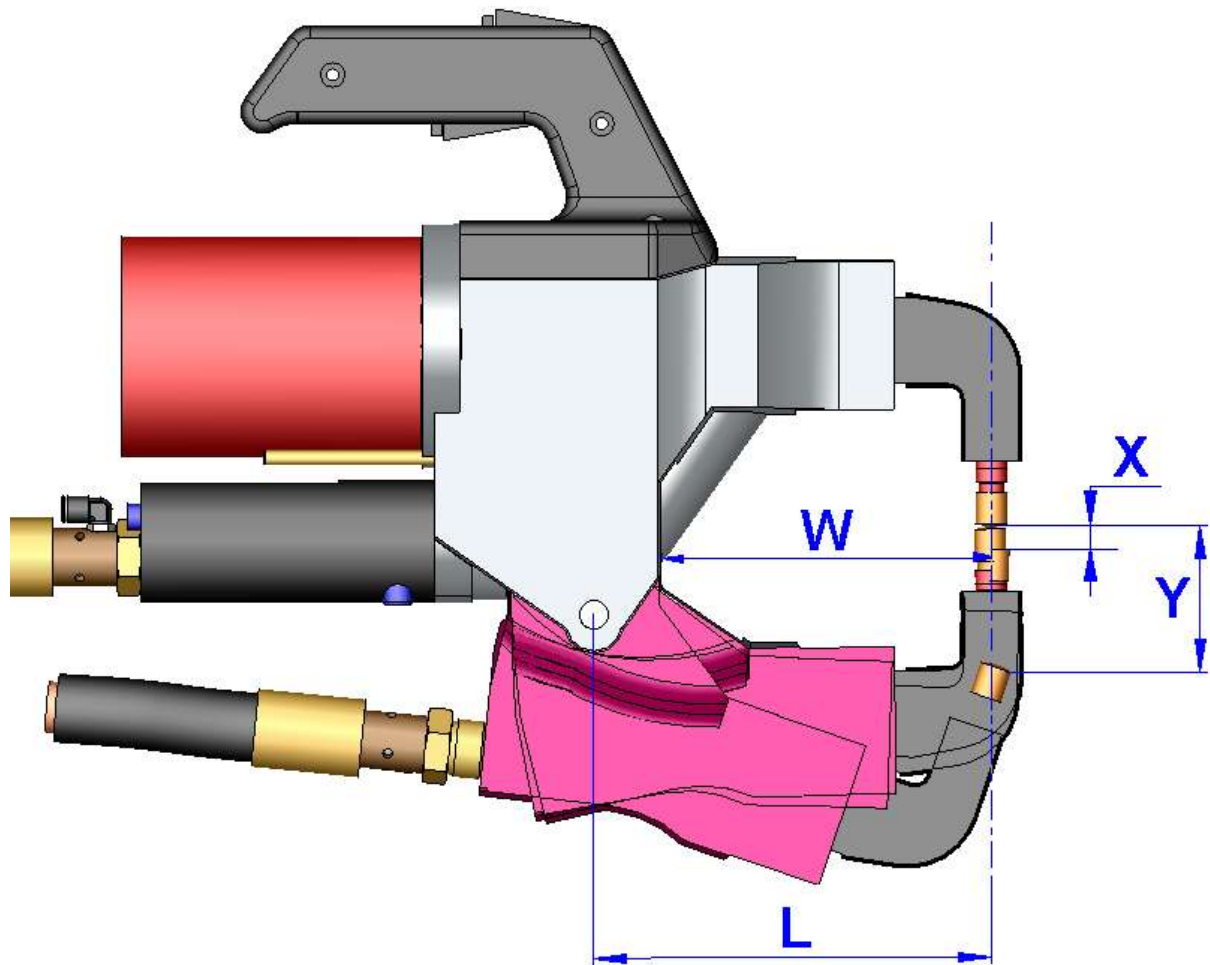
### XW-1000 Features :

- 846 daN Double cylinder pneumatic jack for high squeezing force
- Double Action command for extra wide opening
- Square arms for an easy alignment
- Water cooled
- Numerous Arm shapes and sizes for high versatility



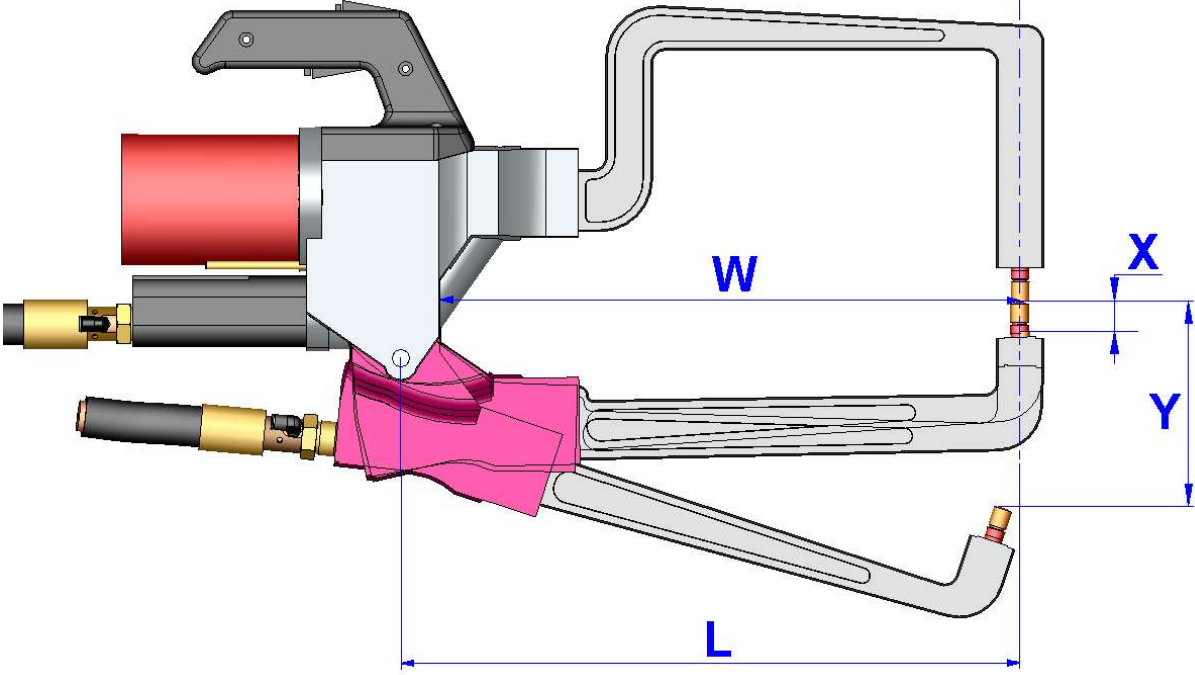
## XW-1000 Arms :

### 1- Symetrical Arms:



Arm Type	Arm Length L (mm)	Body to Tip W (mm)	Opening X (mm)	Wide opening Y (mm)	Squeezing force at 6 bars (daN)
140	162	135	7.5	54	450
320	342	315	13	110	213
420	442	415	16.1	141.5	164
520	542	515	25	180	134

2- Assymetrical Arm:



Arm Type	Arm Length L (mm)	Body to Tip W (mm)	Opening X (mm)	Wide opening Y (mm)	Squeezing force at 6 bars (daN)
430 Arm	427.5	400	18.6	140	171